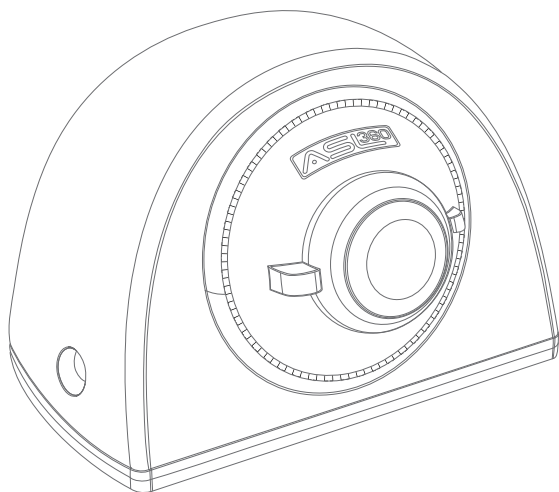


**ASL** 360

**ASL360-CM2**



## KEY FEATURES

- Wide Angle fisheye camera
- Specifically designed for Surround view applications
- Each camera individually calibrated for accurate stitching
- Excellent low-light performance from latest generation sensor
- High Dynamic Range for good detail in both light and dark areas of the image
- Designed for 12V and 24V vehicles
- Internal regulation
- Low Power
- Immunity to vehicle noise from differential output
- Wide climatic range
- IP68 rated housing
- Small size
- Orientable mount to cater for different mounting surfaces

## TECHNICAL DATA

### Optical Characteristics

- Multiple glass element lens
- Aperture F2.0 (nom)
- IR cut coating:
  - o 430-620nm, T<sub>min</sub>>80%;
  - o 670+/-10nm, T=50%
  - o 730-1000nm, T<sub>max</sub><5%;
- True Horizontal Field of View 185degrees (nom)
- Intrinsic visual parameters calibrated to ~0.2pixels across entire field of view
- Focal range 30cm to ∞

### Sensor

- Sensor size 1/4"
- Dynamic range ~75dB
- Signal to Noise ratio 46dB
- Responsivity 16.5 V/lux at 550nm
- Output 720 x 576 (PAL)

### Electrical Characteristics

- Supply Voltage 8V-32V
- Transient protection
- Overvoltage and reverse polarity protection
- Power consumption 0.5W typ
- Cable type Power+TP+LIN
- Connector robust M12 industrial type
- Video output differential

### Safety features

- Frame counter

### Physical Characteristics

- Ingress IP68 @1m
- Orientable Mount
- ~+/-30degrees in all planes and 360degrees line of sight
- Max dimension from base ~48mm

### Options

- Narrow field of view lens
- Matching covers camera